



WQ-QG

Application Limits

- Maximum liquid temperature +40°
- pH level from 4-10
- Maximum liquid density $1.2 \times 10^3 \text{kg/m}^3$
- Power frequency is 50Hz. Nominal voltage is 380VAC
- for three phase with the range from -10% to +10%
- Immersion depth from 0.5m-5m

Certificate



Product Description

WQ-QG disc cutting sewage sewage submersible pump, implementing Q/SG151 standard. The electric pump is mainly composed of three parts: electric motor, water pump and seal. The motor is located at the upper part of the electric pump. The electric motor is an asynchronous motor with a thermal protector device. The motor is a two-pole motor. The water pump is located in the lower part of the electric pump. The oil chamber uses a single-end mechanical seal, and the pump chamber uses a single-end mechanical seal. Each fixed seal is made of "O" oil-resistant rubber seal for static sealing to ensure the reliability of the electric pump seal. The electric pump rotor shaft is composed of 45 steel and 304 stainless steel friction welding to ensure more reliable mechanical strength of the shaft, which can effectively improve the wear resistance and corrosion resistance of the shaft, and also facilitate the maintenance and disassembly of the impeller. The water inlet of the electric pump is equipped with a cutting disc, the impeller rotates at a high speed, the cutting disc is fixed on the pump body, and the long fiber cloth, hair and other debris in the water can be chopped during operation, and the gap between the spiral impeller and the cutting disc is small, the pump The body is equipped with a cutting groove to effectively remove debris.

Product Usage

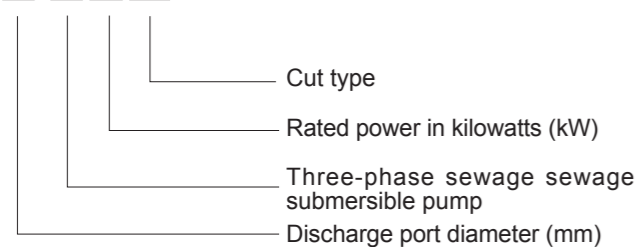
- Extract domestic sewage
- Excluding industrial sewage
- Biogas digesters
- Sewage treatment
- Aquaculture sewage

Optional Available on Request

(*Standard configuration on Page 69)

Model Instruction

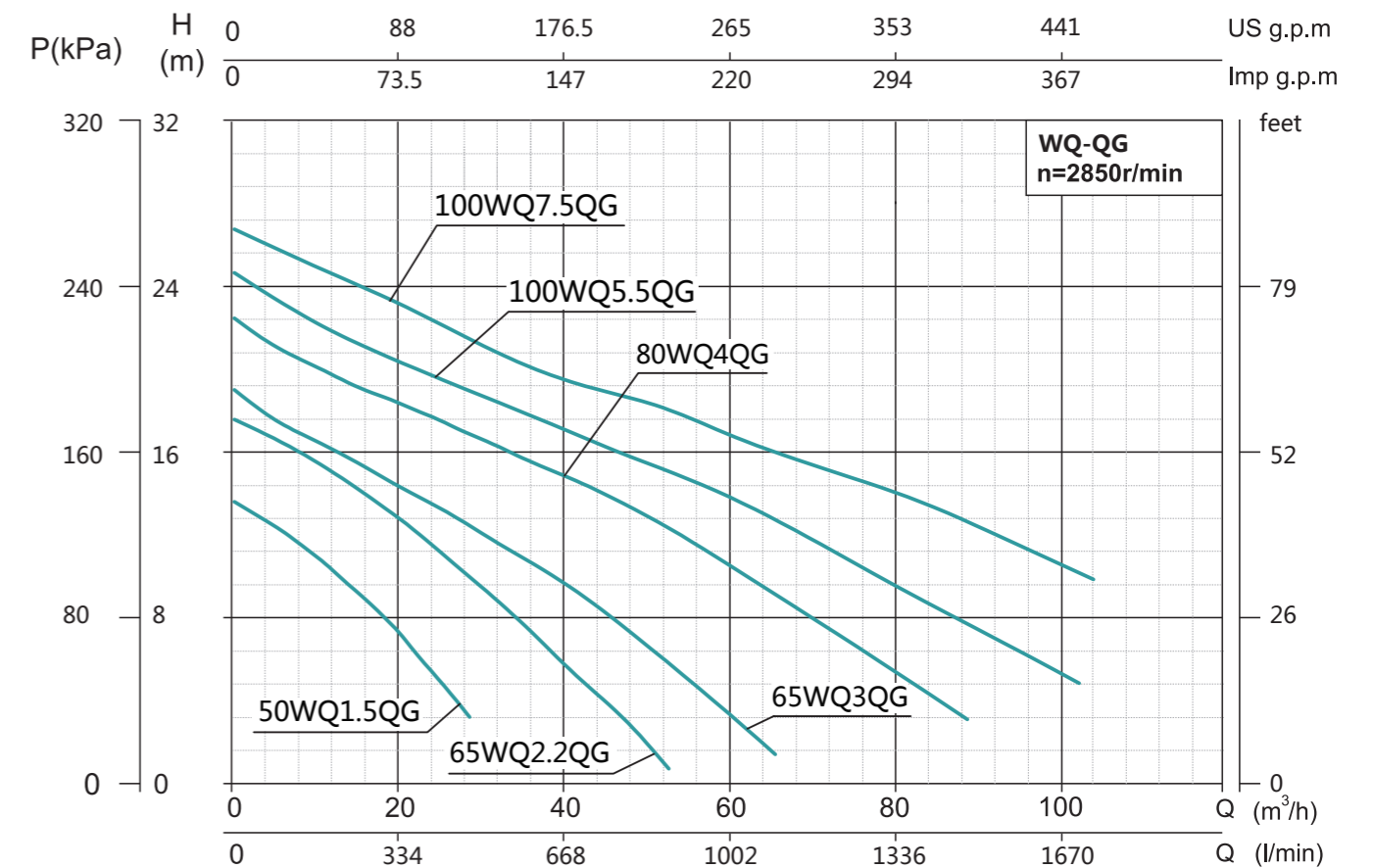
50 - WQ-1.5 - QG



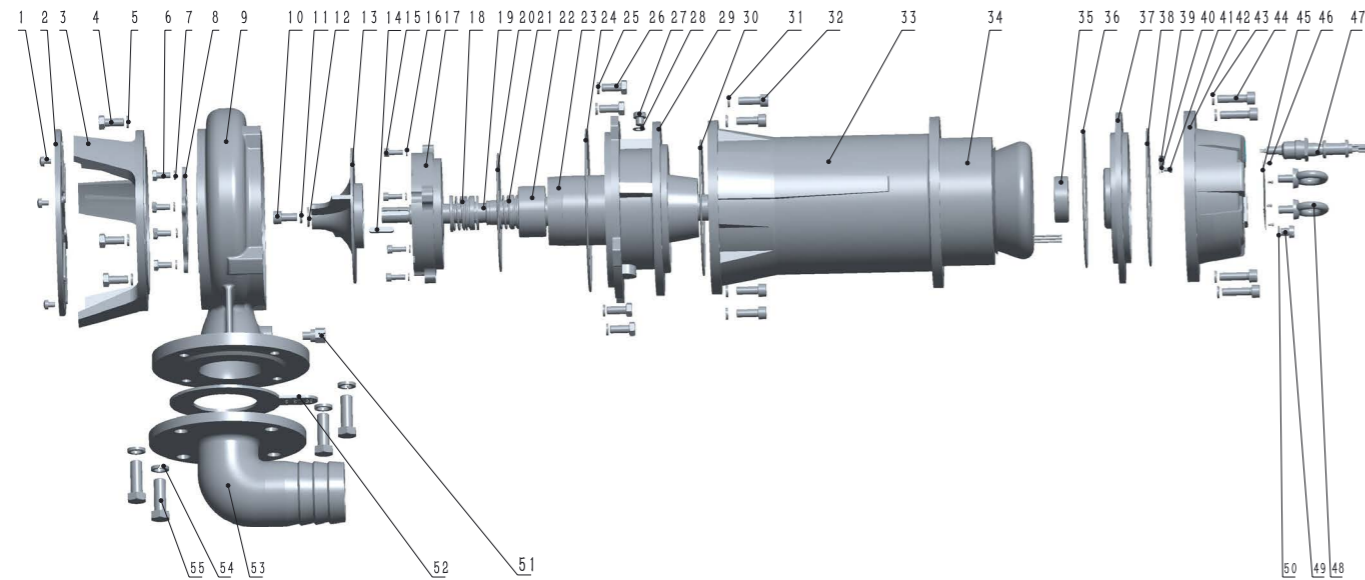
Performance Range

- Max. Flow: 135m³/h
- Max. Head: 26m

Performance Curves

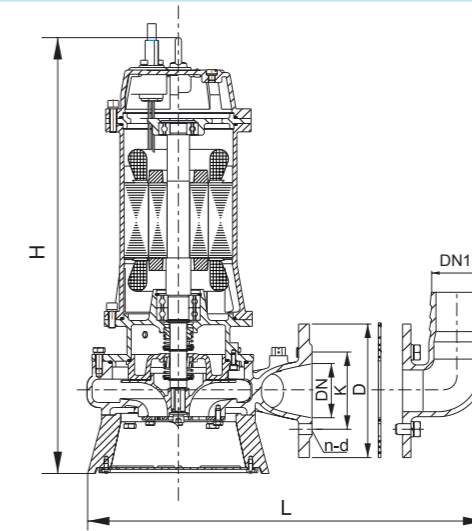


Components & Materials



No.	Component	No.	Component	No.	Component
1	Phillips pan head screw	20	O-ring seal	39	Terminals
2	netdisc	21	Machinery Seal	40	Spring pad
3	Base	22	Double bearing	41	Phillips pan head screw
4	Hex head bolt	23	Cast aluminum rotor	42	Top cover
5	Spring pad	24	O-ring seal	43	Spring pad
6	Hex head bolt	25	Spring pad	44	Hexagon socket head cap screw
7	Spring pad	26	Hex head bolt	45	Nameplate
8	Cutting disk	27	Slotted cylindrical head screw	46	rivet
9	Pump body	28	O-ring seal	47	Cable sheath
10	Hexagon socket head cap screw	29	Oil room	48	Ring
11	Spring pad	30	O-ring seal	49	Slotted cylindrical head screw
12	Large washer	31	Spring pad	50	O-ring seal
13	impeller	32	Hexagon socket head cap screw	51	Vent screw
14	Flat key	33	cabinet	52	Rubber gasket
15	Hexagon socket head cap screw	34	Winding stator core	53	Water festival
16	Spring pad	35	Bearing	54	Spring pad
17	Oil chamber cover	36	O-ring seal	55	Hex head bolt
18	Machinery Seal	37	Upper bearing		
19	axis	38	O-ring seal		

Dimensions & Weight



Model	Dim.(mm)						N.W. (kg)
	L	H	DN/DN1	D	K	n-d	
50WQ1.5QG	306	537	2"	140	110	4-M12	33
65WQ2.2QG	375	522	2.5"	160	130	4-M12	34
65WQ3QG	366	607	2.5"	160	130	4-M12	45
80WQ4QG	380	607	3"	190	150	4-M16	51
100WQ5.5QG	470	682	4"	210	170	4-M16	80
100WQ7.5QG	492	685	4"	210	170	4-M16	89

Performance Details & Dimensions & Weight

Model	Power		Rate Current (A)	Max.Flow (m ³ /h)	Max.Head (m)	Head Range (m)	Cable line (m)	Dim.mm (L×W×H)	G.W. (kg)	20' Loading Qty. (pcs)
	kW	HP								
50WQ1.5QG	1.5	2	3.6	25	16	5-16	4*0.75-8m	630*230*290	38.3	522
65WQ2.2QG	2.2	3	5.1	40	20	5-20	4*0.75-8m	620*270*340	40	483
65WQ3QG	3	4	6.7	55	20	5-20	4*1-8m	700*250*330	51.7	386
80WQ4QG	4	5.5	8.8	80	22	5-22	3*1.5+1*1-8m	700*260*360	58	344
100WQ5.5QG	5.5	7.5	11.7	95	24	5-24	3*1.5+1*1-8m	750*320*415	87.7	228
100WQ7.5QG	7.5	10	15.7	135	26	5-26	3*2.5+1*1.5-8m	780*350*435	97.8	204