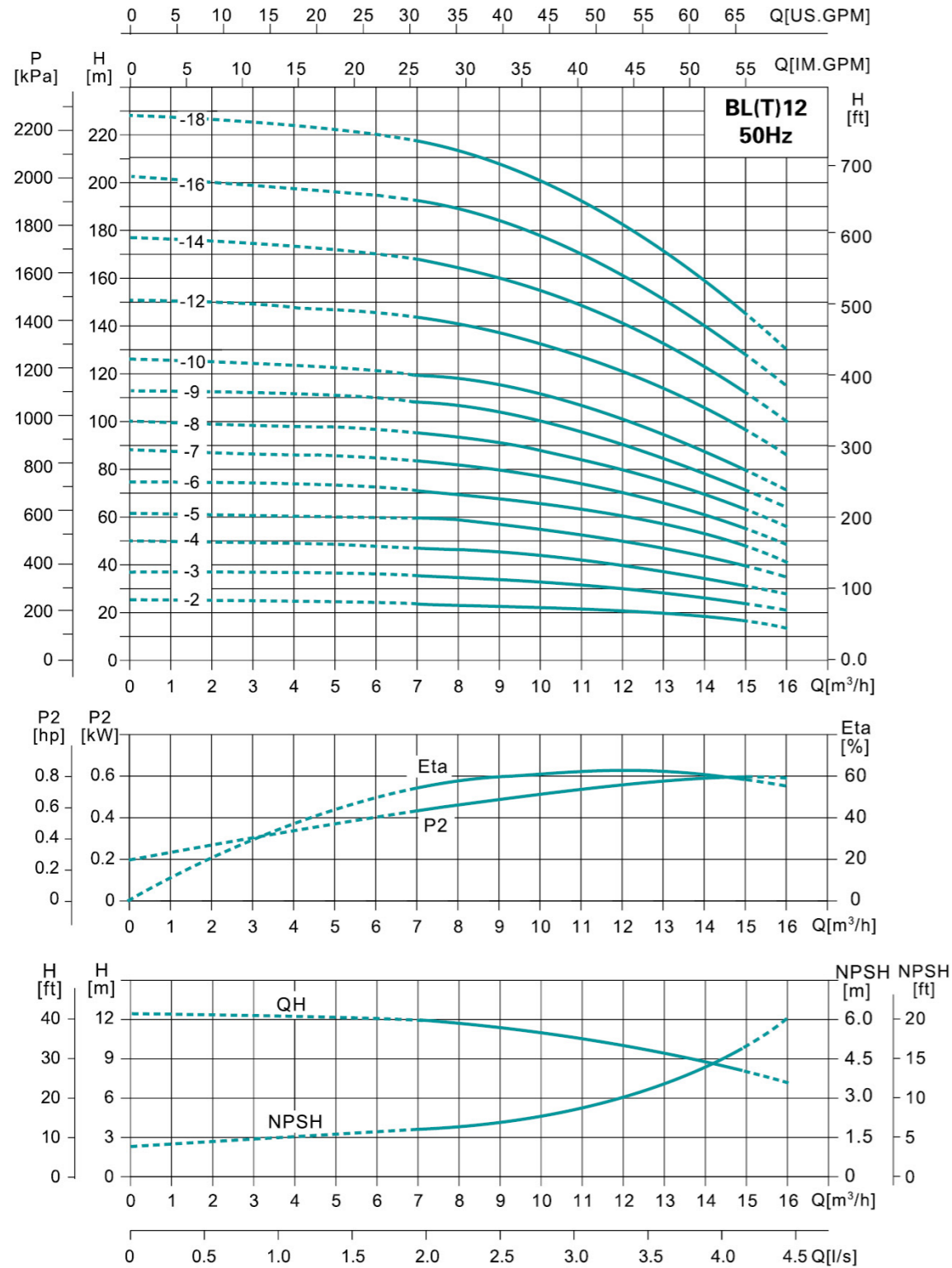


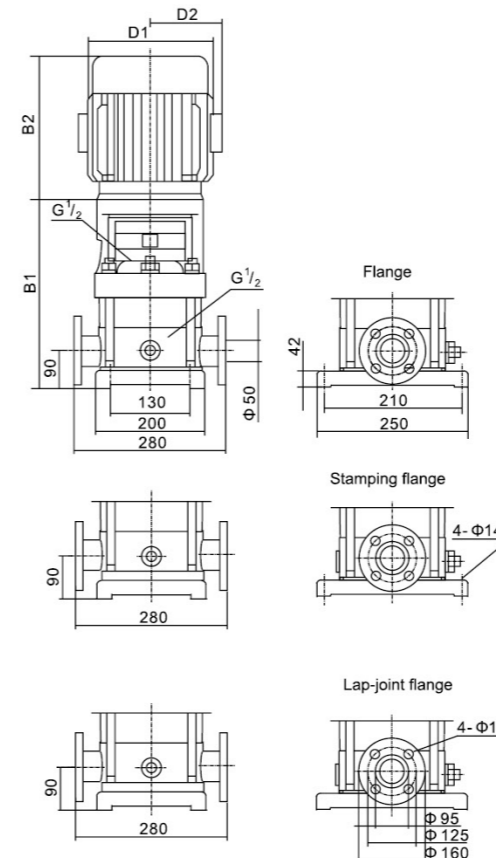
Performance Curve - BL(T)12



It is recommended to be used within lift range.

Performance Table

Model	Power		Q (m³/h)	7	8	10	12	14	15	Head Range (m)
	kW	HP								
BL(T)12-2	1.5	2	H (m)	23.5	23	22	20	17	15	15.5~23.5
BL(T)12-3	2.2	3		35.5	35	33	30	26	23	23.5~35.5
BL(T)12-4	3	4		47	46	44	40	34	31	31~47
BL(T)12-5	3	4		59.5	58	55	50	43	39	39~59.5
BL(T)12-6	4	5.5		71.5	70	66	60	52	47	47~71.5
BL(T)12-7	5.5	7.5		83.5	82	77	70	61	55	55~83.5
BL(T)12-8	5.5	7.5		95.5	94	88	80	70	63	63~95.5
BL(T)12-9	5.5	7.5		108	106	100	91	79	71	71.5~108
BL(T)12-10	7.5	10		120	118	111	101	88	80	80~120
BL(T)12-12	7.5	10		143.5	141	133	121	106	96	96~143.5
BL(T)12-14	11	15		168	165	155	141	124	112	112~168
BL(T)12-16	11	15		192.5	189	178	162	142	128	128.5~192.5
BL(T)12-18	11	15		217	213	202	183	160	145	145~217



Dimensions & Weight

Model	Dim.(mm)					N.W.(kg)
	B1	B2	B1+B2	D1	D2	
BL(T)12-2	383	300	683	166	115	42/49
BL(T)12-3	415	300	715	166	115	45/52
BL(T)12-4	456	325	781	191	128	50/58
BL(T)12-5	488	325	813	191	128	51/59
BL(T)12-6	519	355	874	212	140	57/64
BL(T)12-7	575	395	970	258	163	75/83
BL(T)12-8	606	395	1001	258	163	76/85
BL(T)12-9	638	395	1033	258	163	78/86
BL(T)12-10	669	395	1064	258	163	83/91
BL(T)12-12	733	395	1128	258	163	86/93
BL(T)12-14	825	498	1323	315	251	165/173
BL(T)12-16	888	498	1386	315	251	168/176
BL(T)12-18	951	498	1449	315	251	170/178