

PW-F automatic self-priming pump



Performance range

- ⊙ Head up to 50 m
- ⊙ Flow rate up to 3.4 m³/h

Application Fields

- ⊙ Suitable for use with clean water that does not contain abrasive particles or other similar water of liquid.
- ⊙ widely used domestic water , automatic boosting , water tower supply, well water lifting, solar hot water boosting.

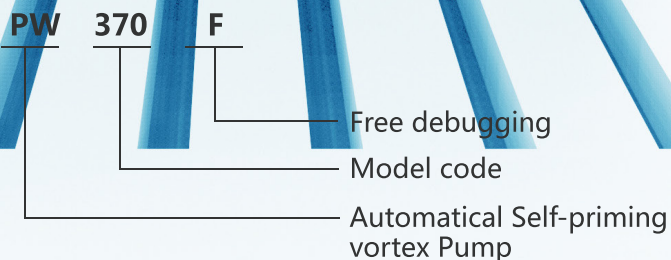
Application Limited

- ⊙ Suction lift up to 8 m
- ⊙ Max. working pressure 5 bar
- ⊙ Liquid temperature up to +90°C
- ⊙ Ambient temperature up to +40°C
- ⊙ Voltage fluctuations should not exceed 10% of rate value

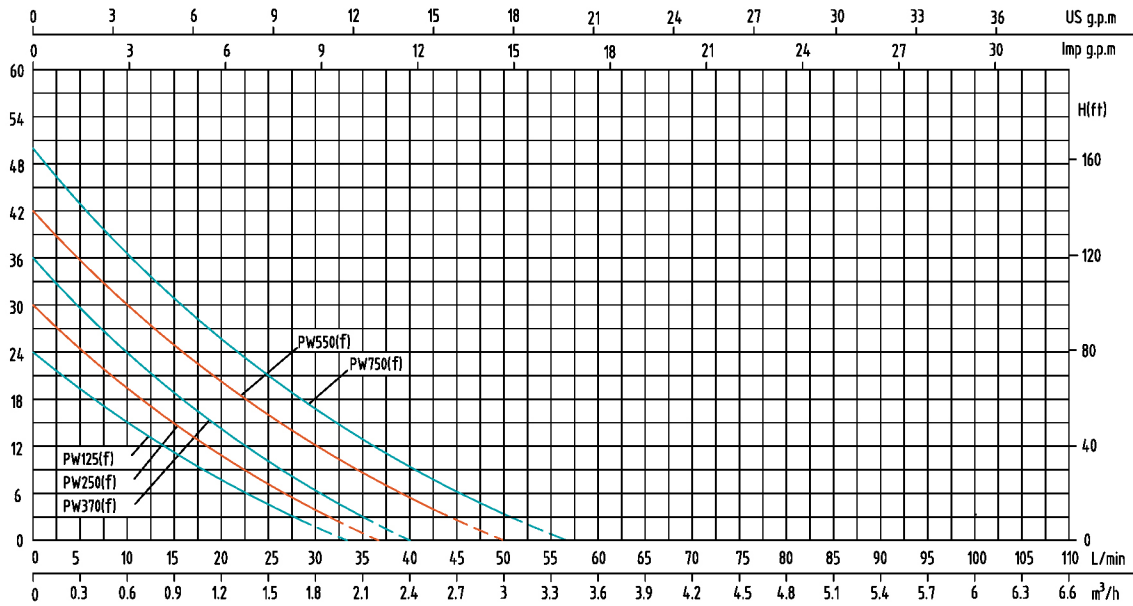
Model Instruction

- ⊙ Single phase motor, copper wires, built-in thermal protector, fully enclosed motor shell
- ⊙ Continuous service S1
- ⊙ IPX4 class protection
- ⊙ Class B insulation

Structural material

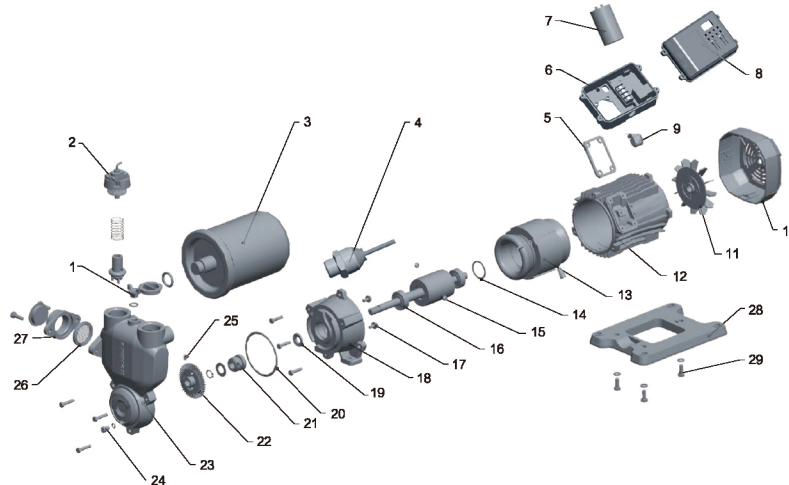


Performance Curve



Model	Power		Max. Flow (m³/h)	Max. Head (m)	Head Range (m)	Max. Suction (m)
	kW	HP				
PW125F	0.125	0.17	2	24	1~18	8
PW250F	0.25	0.34	2.2	30	1.5~23	8
PW370F	0.37	0.5	2.4	36	1.5~27	8
PW550F	0.55	0.75	3	42	3.5~35	8
PW750F	0.75	1	3.4	50	5~38	8

Explosion



No.	Component	No.	Component	No.	Component
1	Bleed cock	11	fan	21	Machinery Seal
2	Flow Switch	12	cabinet	22	impeller
3	pressure tank	13	Winding stator core	23	Pump body
4	Pressure Sensor	14	Wave spring	24	Slotted cylindrical head screw
5	Rubber gasket	15	Rotor	25	Set screw
6	control box	16	Bearing	26	Filter
7	Capacitor	17	Combination screw	27	Inlet pipe
8	Control box cover	18	Coupling	28	Base
9	Cable lock	19	Water retaining ring	29	Hex head bolt
10	Fan cover	20	O-ring		

SHIMGE PUMP INDUSTRY (ZHEJIANG) CO., LTD.

Tel: +86-576-86339960 Fax: +86-576-86337079

Email: admin@shimge.com Http://www.shimgepump.com P_C:317525

Add: Dayangcheng Industrial Zone, Daxi Town, Wenling City, Zhejiang Province, China

SHIMGE[®]
for better life